

# AVEKO *press*®

MADE BY NUMMEK



2020



CUSTOMIZATION - DURABILITY - EASE OF USE

WASTE COMPACTORS  
since 1990

ALREADY  
30 YEARS!



 100% MADE IN FINLAND

# AVEKO Combi

AVEKO Combi is a mobile compactor, consisting of a press and its container, easy to handle with any adequate vehicle. Ready to use right after its electrical socket is connected.

## STANDARD EQUIPMENTS

- Hooks and cable reel in front and rear for moving
- Infeed hopper
- Hydraulic oil heating
- Adjustable runtime
- Filling level monitoring
- Anti-return claws
- Rail wheels on container side or compactor side



Shops  
Real estates  
Hotels  
Hospitals  
Industries  
Work sites

## CONTAINERS

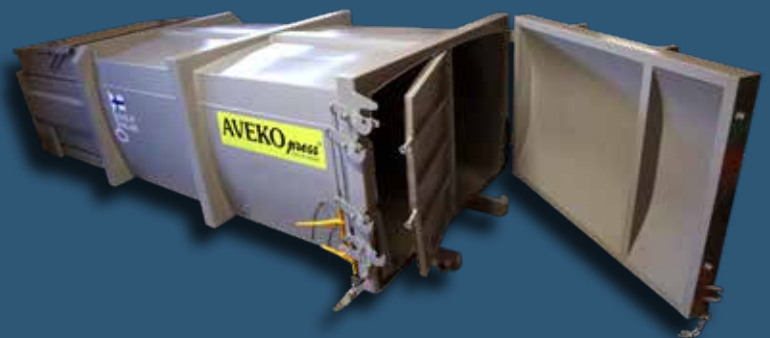
10 m <sup>3</sup>	18 m <sup>3</sup>
12 m <sup>3</sup>	20 m <sup>3</sup>
16 m <sup>3</sup>	25 m <sup>3</sup>

## OPTIONAL EQUIPMENTS

- Bin lifting-emptying device
- Remote monitoring and connection
- Steering sheet
- Levels, platforms, railings
- Retractable hook
- Wheel between rails
- Rail wheels
- Corner wheels
- Hydraulic hopper cover
- Heating system
- Cooling system
- Deodorizing system
- Automatic start device
- Various alarm devices
- Various traction equipment

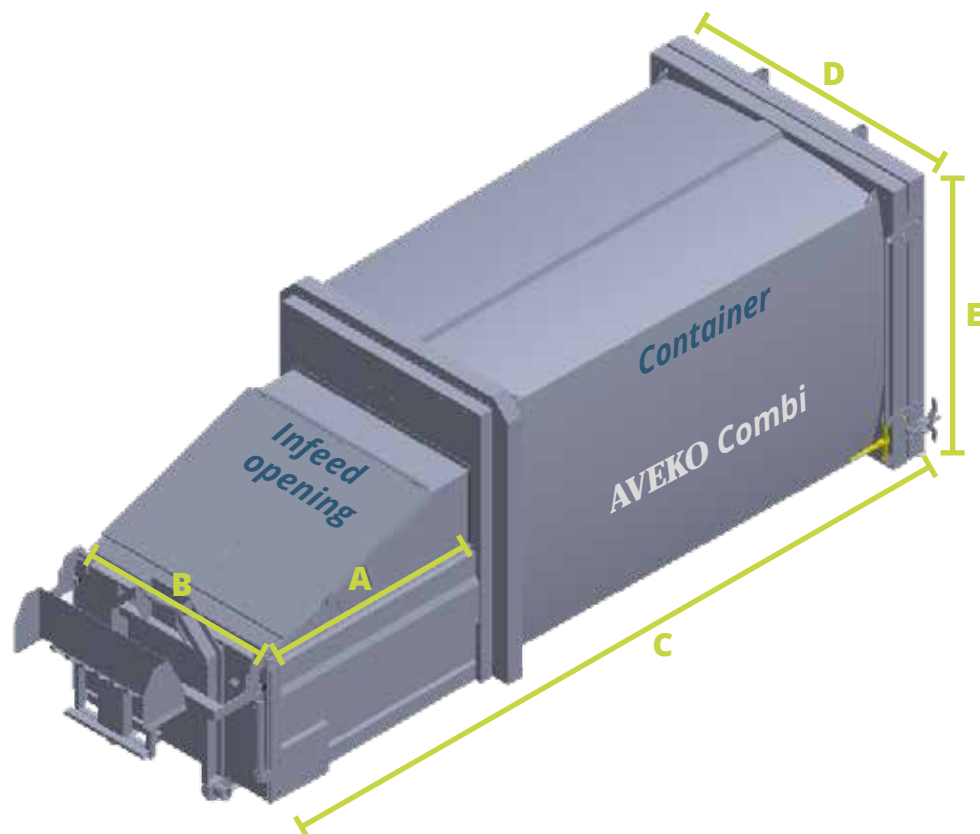
## AVEKO Combi Double-Chamber

1 compactor and 2 compartments!



For collecting 2 waste materials  
on limited space.

	Model	Container (m <sup>3</sup> )	Infeed opening		Total		
			length (mm) A	width (mm) B	length (mm) C	width (mm) D	height (mm) E
AVEKO 0815	0815CX/10	10	800	1400	4400	2570	2610
	0815CX/16	16	800	1400	5110	2570	2610
	0815CX/18	18	800	1400	5610	2570	2610
	0815CX/20	20	800	1400	6110	2570	2610
AVEKO 1015	1015CX/10	10	1000	1400	4755	2570	2610
	1015CX/16	16	1000	1400	5470	2570	2610
	1015CX/18	18	1000	1400	5970	2570	2610
	1015CX/20	20	1000	1400	6470	2570	2610
AVEKO 1215	1215CX/10	10	1200	1400	5010	2570	2610
	1215CX/16	16	1200	1400	5720	2570	2610
	1215CX/18	18	1200	1400	6220	2570	2610
	1215CX/20	20	1200	1400	6720	2570	2610
AVEKO 1219	1219CX/16	16	1200	1800	5860	2570	2610
	1219CX/18	18	1200	1800	6360	2570	2610
	1219CX/20	20	1200	1800	6860	2570	2610
	1219CX/25	25	1200	1800	6860	2570	2920
AVEKO 1619	1619CX/16	16	1600	1800	6330	2570	2610
	1619CX/18	18	1600	1800	6830	2570	2610
	1619CX/20	20	1600	1800	7330	2570	2610
AVEKO 1219 Double Chamber	1219CX/7+7	7+7	1200	1800	6860	2580	1800
	1219CX/8+8	8+8	1200	1800	5860	2570	2610
	1219CX/9+9	9+9	1200	1800	6360	2570	2610
	1219CX/10+10	10+10	1200	1800	6860	2570	2610



# AVEKO Duo

AVEKO Duo is a larger and stationary compactor, with a removable container. It's the right solution when generating important loads of dry wastes, or when the emptying intervals are particularly long.



container part

## CONTAINERS

20 m <sup>3</sup>	30 m <sup>3</sup>
25 m <sup>3</sup>	33 m <sup>3</sup>
	36 m <sup>3</sup>
Relief roof 33 m <sup>3</sup>	

compactor part

## STANDARD EQUIPMENTS

- Hooks and cable reel in front and rear for moving
- Hydraulic oil heating
- Adjustable runtime
- Rail wheels
- Hatch opening tarp



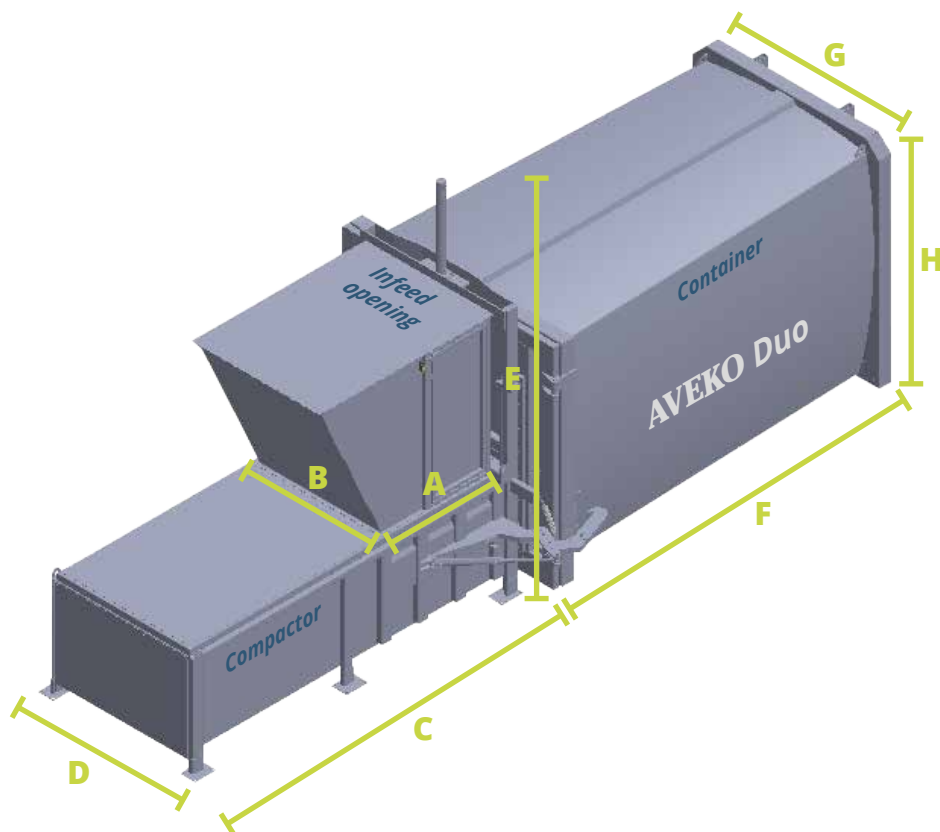
CE

## OPTIONAL EQUIPMENTS

- Bin lifting-emptying device
- Remote monitoring and connection
- Steering sheet
- Levels, platforms, railings
- Wheel between rails
- Rail wheels
- Corner wheels
- Automatic hatch opening

- Precompression plate (PC)
- Heating system
- Cooling system
- Deodorizing system
- Automatic start device
- Various alarm devices
- Various traction equipment
- Hydraulic clamp

Model	Infeed opening		Compactor		
	length (mm) A	width (mm) B	length (mm) C	width (mm) D	height (mm) E
<b>AVEKO</b> 1219DX, SL	1200	1900	2600	2000	2800
1219 DX 1219DX	1200	1900	2600	2000	1450
<b>AVEKO</b> 1619DX	1600	1900	3200	2000	1450
1619 DX 1619DX, SL	1600	1900	2900	2000	2800
<b>AVEKO</b> 1215 D 1215D, SL	1200	1500	3800	1700	2900
<b>AVEKO</b> 1615 D 1615D, SL	1600	1500	4600	1700	2800
1615D, EP	1600	1500	4600	1700	2400
1615D, SL	1600	1500	4600	1700	2650
<b>AVEKO</b> 1619D, SL raised legs	1600	1900	4600	2140	2900
1619 D 1619D, EP	1600	1900	4600	2140	2400
<b>AVEKO</b> 2019D, SL	2000	1900	5400	2140	2850
2019 D 2019D, EP	2000	1900	5400	2160	2460



Container size	Container		
	length (mm) F	width (mm) G	height (mm) H
20 m <sup>3</sup>	4100	2470	2450
25 m <sup>3</sup>	5100	2470	2450
30 m <sup>3</sup>	6100	2470	2450
33 m <sup>3</sup>	6600	2470	2450
33 m <sup>3</sup> relief roof	6600	2460	2760
36 m <sup>3</sup> , K3000	6100	2470	2840

# AVEKO Integrated

AVEKO Integrated is a waste compactor especially designed for trucks and makes the waste collection many times more efficient: pressing the cardboards decreases significantly the emptying frequency. It makes the life much easier for every transport entrepreneur.

## CAPACITY

200-230 kg/m<sup>3</sup>

## INFEEED HOPPER OPENING

2,0 m x 3,0 m

## COMPRESSION CHAMBER OPENING

1,6 m x 1,8m



It saves time and money when a waste container needs to be collected and transported to the waste station every now and then. Every second collection is here saved! A traditional demountable container can concentrate 40-50 kg/m<sup>3</sup> of cardboard usually, when AVEKO Integrated can press up to 200-230 kg/m<sup>3</sup>.

The compactor is connected to the truck's hydraulic and electric circuits (24 V). The waste compactor includes the hopper lid, which is hydraulically opened and closed.



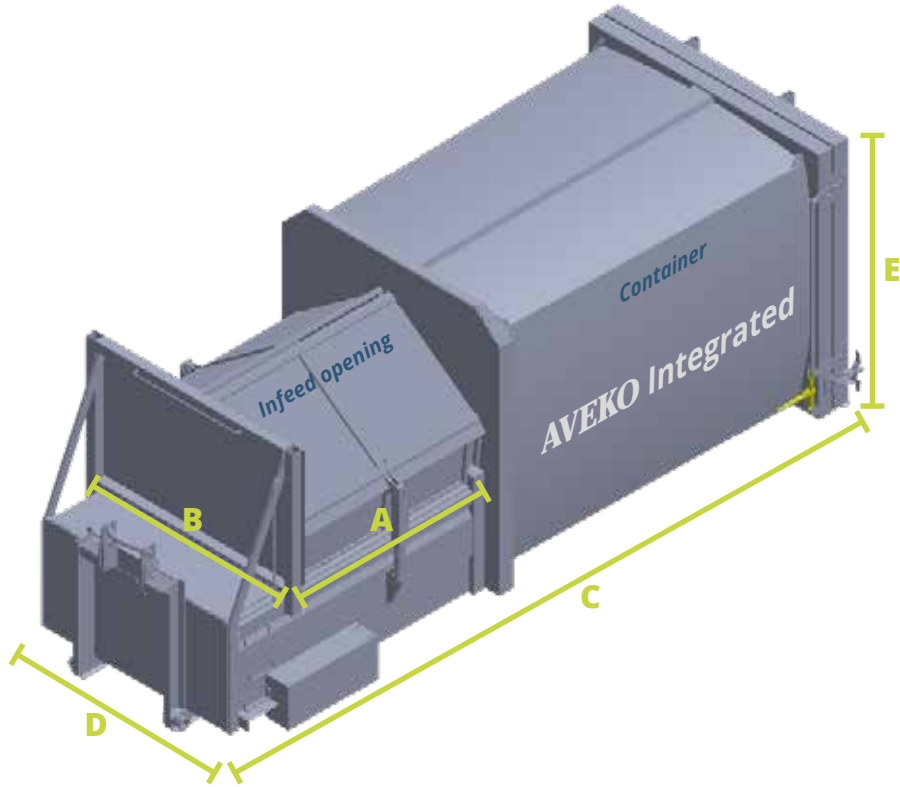
**CONTAINERS**  
16 m<sup>3</sup> 18 m<sup>3</sup> 20 m<sup>3</sup> 25 m<sup>3</sup>



## STANDARD EQUIPMENTS

- Infeed hopper
- Hooks and cable reel in front and rear for moving
- Hydraulic oil heating
- Adjustable runtime
- Anti-return claws

Model	Container (m <sup>3</sup> )	Infeed opening		Total		
		length (mm) A	width (mm) B	length (mm) C	width (mm) D	height (mm) E
AVEKO Integrated	1619CX/16 to truck	1600	1800	6220	2580	2710
	1619CX/18 to truck	1600	1800	6720	2580	2710
	1619CX/20 to truck	1600	1800	7220	2580	2710



# AVEKO Bio

AVEKO Bio is the right solution for liquid-containing wastes, such as wet mixed wastes and biowastes. Bio-compactors and Bio-containers are completely sealed, to prevent completely any leak of liquid into the environment and reduces the cleaning needs.

A sealed waste container also keeps the pests at bay considerably better than an open container, which would require frequent emptying due the odor and pest nuisance.

## STANDARD EQUIPMENTS

- Infeed hopper
- Hooks and cable reel in front and rear for moving
- Hydraulic oil heating
- Adjustable runtime
- Filling level monitoring
- Anti-return claws
- Rail wheels on container side or compactor side

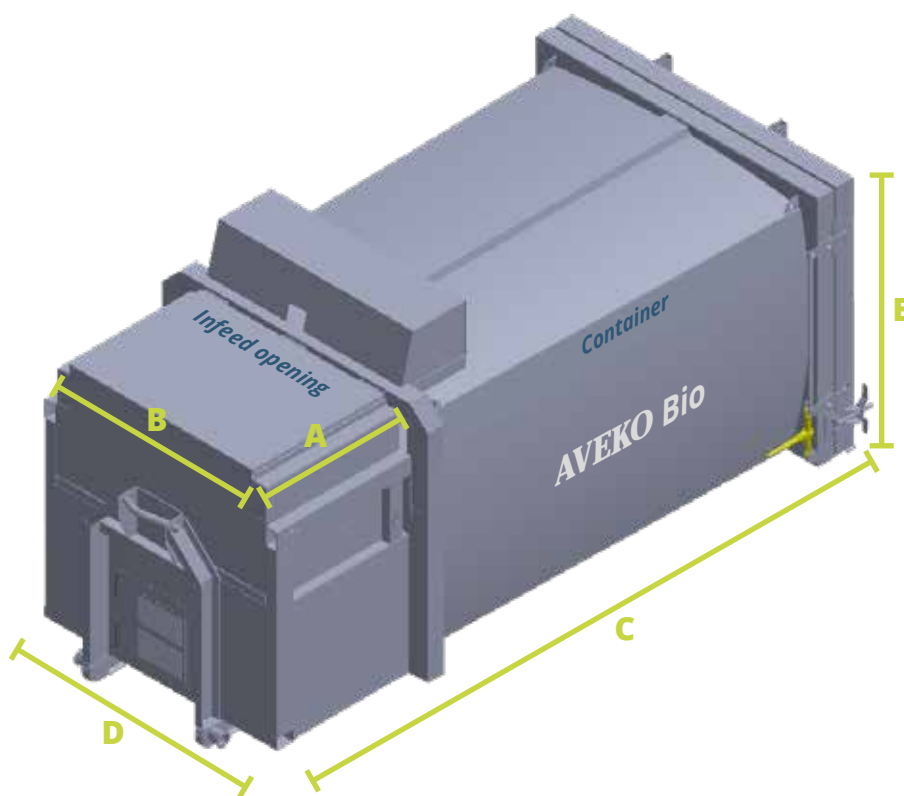


## OPTIONAL EQUIPMENTS

- Thermal insulation
- Heating system
- Cooling system
- Deodorizing system (ozonation)
- Bin lifting-emptying device
- Steering sheet
- Various traction equipment
- Retractable hook
- Wheel between rails
- Rail wheels
- Hydraulic hopper lid opening



Model	Container (m <sup>3</sup> )	Infeed opening		Total			
		length (mm) A	width (mm) B	length (mm) C	width (mm) D	height (mm) E	
AVEKO Bio	Bio 0815CX/10	800	1400	4400	2570	2610	
	Bio 0815CX/16	800	1400	5110	2570	2610	
	Bio 0815CX/18	800	1400	5610	2570	2610	
	Bio 0815CX/20	800	1400	6110	2570	2610	
	Bio swing 1116CX/14	14	1100	1600	5823	2580	1750
	Bio swing 1116CX/16	16	1100	1600	5293	2580	2582



A container equipped with a compactor guarantees the best benefits, as the emptying frequency is reduced and the waste mass is at maximum at every emptying.

AVEKO Bio waste compactor can include heating and cooling systems, for keeping odor nuisances to a minimum. In winter, the biowastes can freeze easily, so it can be worth equipping with heating system the devices for outdoor use. Heating and cooling systems play a major role in the Northern climate where thermometers fluctuate to extremes.

All devices can be installed inside a building, so they can be accessed indoors. In that case, it's advised to equip them with ozonation and deodorization system to preserve the operating comfort.

# AVEKO Accessories

Optional equipments are designed to improve the AVEKO products efficiency and the ease of use. For example, the automatic alarm notifies the responsible service when the container needs handling. It's an easy and cost-effective way to enhance the user's work. The bin lifting-emptying device improves the speed and the ease of collection when collecting the wastes in different locations, as several small bins, for dumping into the compactor.

Heating and cooling systems play a major role in the Northern climate where thermometers fluctuate to extremes. In hot environment, it helps to keep the odor nuisance to the lowest, and in cold period, it prevents the wet wastes to freeze. For indoor use, the deodorizing system keeps the air clean. Structures such as levels, platforms and railings increase the user's safety and those items are conveniently available and customized at AVEKO.

**We find a solution for everything, so ask for more!**

**Platforms**

**Bin emptying-lifting device (integrated & removable) ▶**

**Levels**



**Integrated bin emptying-lifting device with automatic lid opening**

**Safety hand rail**

**Steering sheet ▶**

**Rubbish container**



# Why AVEKO ?

## Hygienic and safe environment

No odor nuisance.  
No wastes spread by the wind.  
The waste point stays clean.  
Better fire safety of the waste point.  
Easy and safe to use.  
Liquid-tight containers for biowaste available.



## Do you want customization?

We easily and quickly change and adapt standard models to meet customer needs, so that AVEKO products are exactly what you need and more. You will always receive dimensional drawings. AVEKO products can be painted in your own color for no extra cost.



## Customization example: through-the-wall



## AVEKO: long experience

We are a professional manufacturer that cherishes quality and customer satisfaction.

AVEKO will turn 30 years old in 2020.

All our products are made 100% in Finland.

# 30 years

## A wise and economical solution saves time and money

Decreased need of waste handling.

Full loads, no half empty.

Less transport.

AVEKO press is a long-lasting compactor.

Customization to fit the right space, more space for docks and storage.

Fast and efficient technology.

Alarm devices notify you in the right time, so you don't need to worry about emptying and maintenance.



## High quality and durability

Container's bottom plate thickness: 4 mm

Wall plate thickness: 4 mm

Roof plate thickness: 3 mm

Materials: S355 (Ruukki, SSAB)



**We make it strong.**

## Easy financing

In addition to a quality product, you also get competitive financing:

- ▶ Financing leasing (the residual value is for the customer)
- ▶ Rent (the residual value is for the Nummek)
- ▶ Payment in several times (hire purchase)





Manufacturer

— **NUMMEK** —

[www.AVEKO.fi](http://www.AVEKO.fi)

Valimotie 1

25500 Perniö

Finland

[nummek@nummek.fi](mailto:nummek@nummek.fi)



**AVEKO Team**



**Unto Asikainen**

Entrepreneur

+358 (0)40 580 4220

[unto.asikainen@nummek.fi](mailto:unto.asikainen@nummek.fi)



**Janne Asikainen**

Managing Director

+358 (0)41 505 8567

[janne.asikainen@nummek.fi](mailto:janne.asikainen@nummek.fi)



[www.AVEKO.fi](http://www.AVEKO.fi)